



VIMO PC II

Aging bench in rotation

**Control of watch
movement functions**

- + Total aging process
- + Configurable cycles
- + Motorized stations
independent and configurable

SWISS
MADE



▶ AGING PROCESS

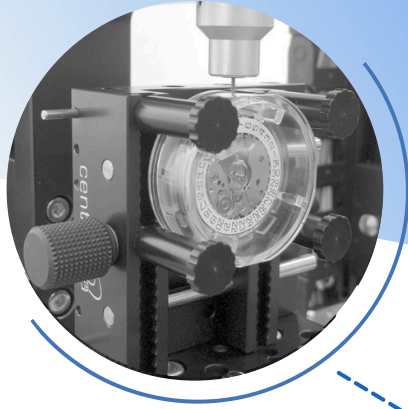
▶ Special machinery

▶ Inspection equipment

▶ Watchmakers tools

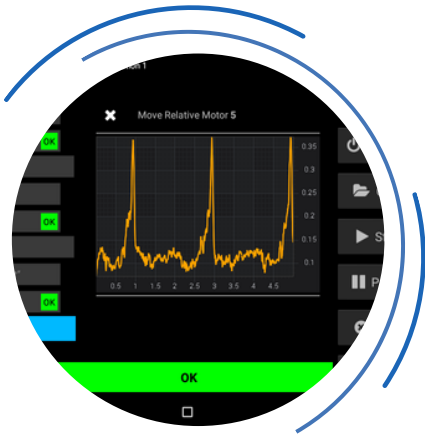
VIMO PC II

AGING TEST BENCH IN ROTATION FOR WATCH MOVEMENTS



Integral aging

Armed by turning the crown and disarmed disarming by turning a hand.



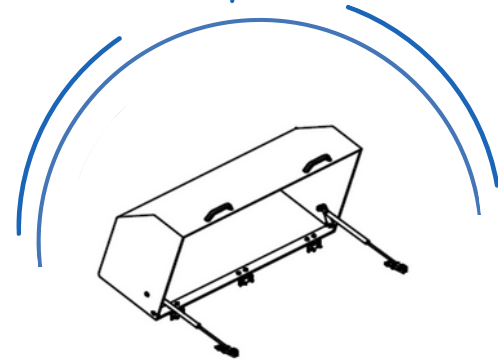
Intuitive software

Integrated touchscreen for viewing head status, and for starting and stopping each cycle independently. It allows us to observe torque variations and store and export all data (speed, acceleration, torque) measured during the experiment.



Modular bench

Composed of 5 vertical and 5 to 10 horizontal heads. Position, speed, acceleration and deceleration control



Safety system

Possibility of integrating a protective cover, a CE-compliant device.

